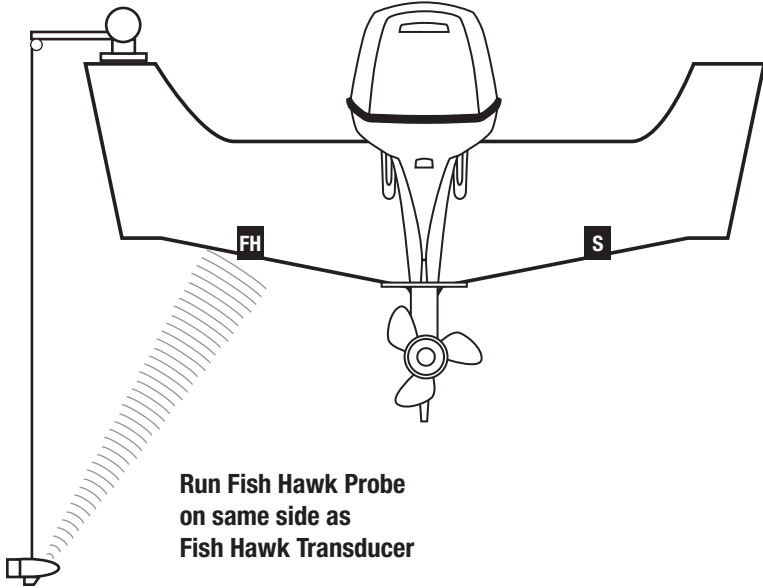
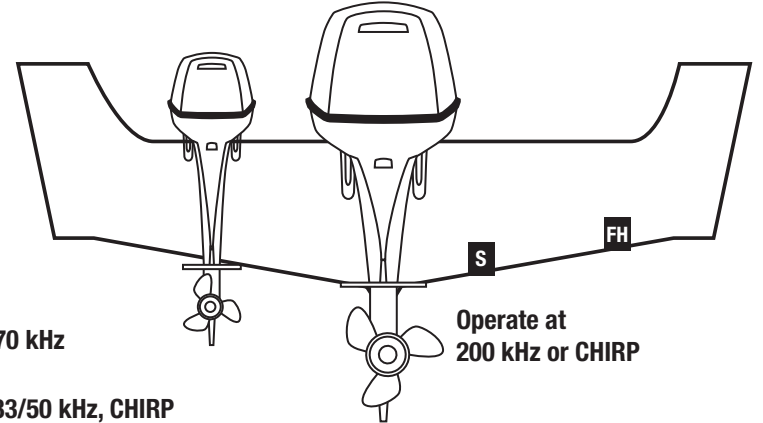


Recommended Transducer Locations

Single Outboard/Outdrive



Single Outboard with Kicker Motor

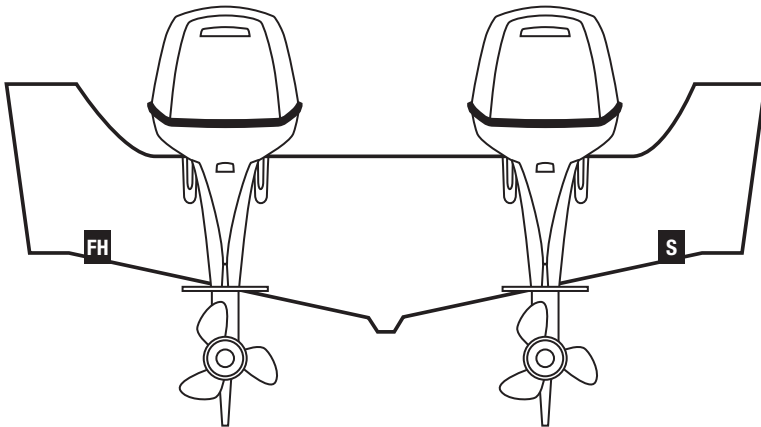


FH Fish Hawk Transducer - 70 kHz

S Sonar Transducer - 200/83/50 kHz, CHIRP

Operate at 200 kHz or CHIRP

Twin Outboard/Outdrive



Twin Inboards

